



### Low Cost Submersion and In-Line ORP Electrodes



**S260 Series Ryton Sensors**



**S222 Series Quick Disconnect Models**

---

Economical design for in-line or submersion use

---

Choose from single or double junction models

---

Threaded 1/2" or 3/4" NPT connections

---

High purity platinum measuring surfaces

---

Special models for low ionic and other specialty applications available

---

This series of electrodes are designed to provide an economical multi-purpose solution for in-line or submersion ORP measurements. Based on our proven S500C polished tip or 970884 extended tip or S350CD-ORP flat surface technology, these rugged and durable electrodes are available in Ryton nipples with 1/2" or 3/4" NPT threads; or in our durable epoxy body with or without quick disconnect top caps. Choose from single or double junction designs, flat or recessed measuring surfaces, and cable lengths and connectors as required. For special configurations please contact the Sensorex sales or technical support department.



# Low Cost Submersion and In-Line ORP Electrodes

Designed to provide an economical multi-purpose solution for in-line or submersion ORP measurements.

**Specifications**

Measuring Range	+/-2000 mV for ORP models)
Body material	Epoxy (S200 and S222 Series) or Ryton, (S265-S269 Series)
Junction Materials	Pelon for extended tip and polished versions and HDPE for flat surface ORP
Temperature Range	0- 100 Degrees C
Max Pressure	100 psig
Connector	BNC (other connectors available for an additional charge)
Cable length	30" or longer for S200 Series lengths at additional cost user specified, (Cap-cable S653 required for S222 Series). 10ft length for S265-S269 series
Process Connection	1/2" or 3/4" MNPT for submersion or in-line

**Ordering Information**

These economical sensors are submersion and in-line ready by utilizing the 1/2" or 3/4" MNPT threads on the sensor. 10ft cable length is standard. Special lengths available upon request. Ryton body electrodes are rated to 100 degrees C.

pH Sensors	Nipple	Type
<b>(To order an ORP model instead of pH, simply add - ORP to the model numbers below.)</b>		
S265C-ORP	Ryton	Single junction 1/2" NPT extended tip platinum
S265CD-ORP	Ryton	Double junction 1/2" NPT extended tip platinum
S267C-ORP	Ryton	Single junction 3/4" NPT extended tip platinum
S267CD-ORP	Ryton	Double junction 3/4" NPT extended tip platinum
S268CD-ORP	Ryton	Double junction 1/2" NPT flat surface platinum
S269CD-ORP	Ryton	Double junction 3/4" NPT flat surface platinum

Parts covered by this product data sheet include:: S500C-ORP, S500CD-ORP, S222C-ORP, S222CD-ORP, S265C-ORP to S269CD-ORP



### Low Cost Submersion and In-Line ORP Electrodes (Continued)



Mounting glands



ORP Calibration Kit



Battery Pre-amp



2-wire blind ORP transmitter

#### Ordering Information

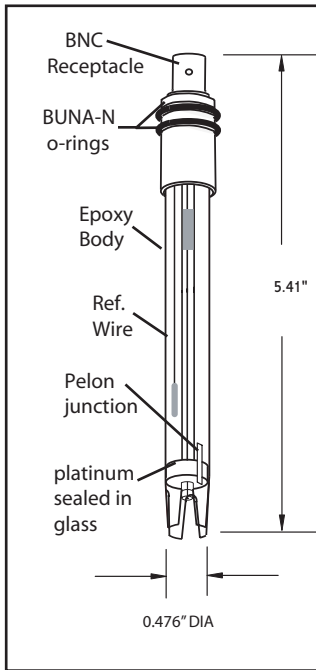
These economical sensors can be used for submersion or in-line use. Mounting is accomplished by ordering the appropriate mounting gland listed below.

Sensor	Type
S500C-ORP	Single junction spherical style bulb
S500CD-ORP	Double junction spherical style bulb
S222C-ORP	Single junction spherical style bulb-Quick disconnect
S222CD-ORP	Double junction spherical style bulb-Quick disconnect
<b>Accessories</b>	
FC50P	1/2 " NPT mounting gland for 12mm electrodes
FC75P	3/4 " NPT mounting gland for 12mm electrodes
FC75TC	3/4 "flow cell, mounting gland and ATC cable for 12mm electrodes
S653	Cap Cable assembly for S222 series (Specify cable length and connector termination when ordering)
PHAMP-1	Battery powered unity gain pH/ORP preamplifier
ORPMA	4-20mA loop-powered ORP transmitter
B125	ORP quinhydrone calibration kit
B225	Zoebell's solution, 1 pint (XXmL)
B425	Light's Solution, 3 oz (90mL)
B625	600mV ORP standard solution, 3oz. (90mL)

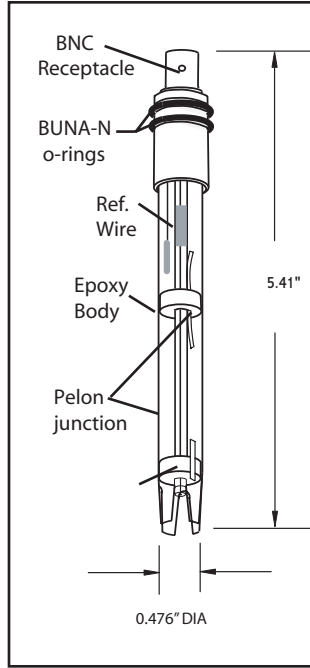
Parts covered by this product data sheet include: S500C-ORP, S500CD-ORP, S222C-ORP, S222CD-ORP, S265C-ORP to S269CD-ORP

# PRODUCT SPECIFICATION SHEET

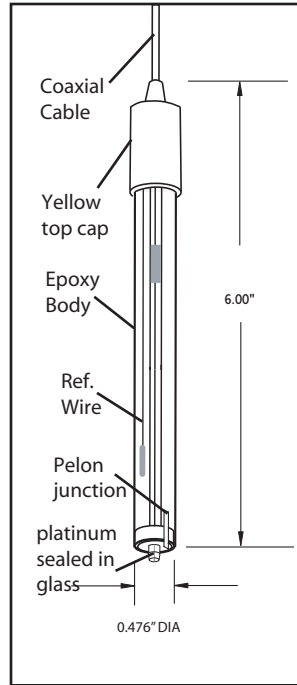
## S222C-ORP



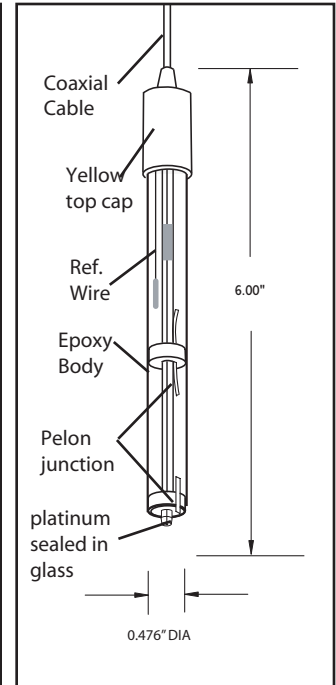
## S222CD-ORP



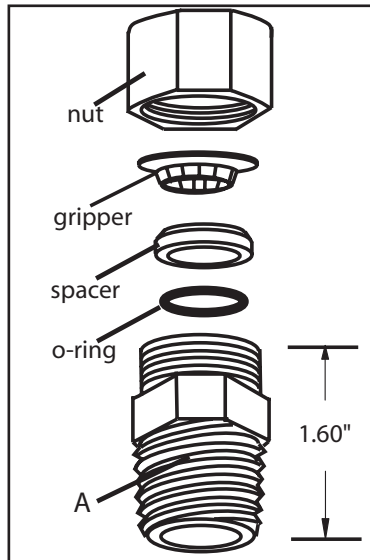
## S500C-ORP



## S500CD-ORP

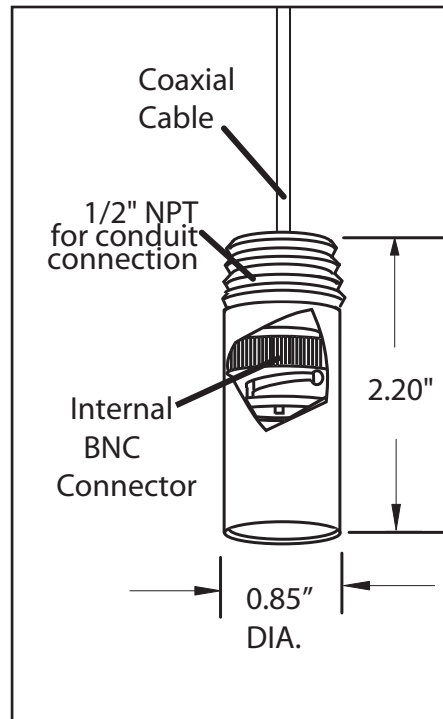


## FC50P and FC75P



Part No.	Dim. A
FC50P	1/2" NPT
FC75P	3/4" NPT

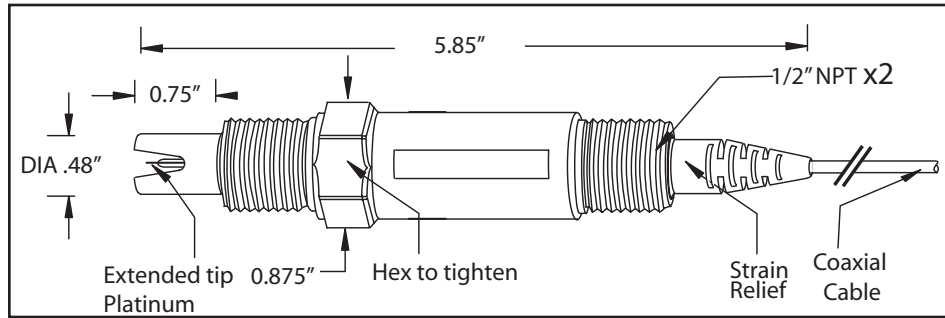
## S653 Cap and Cable for Conduit use



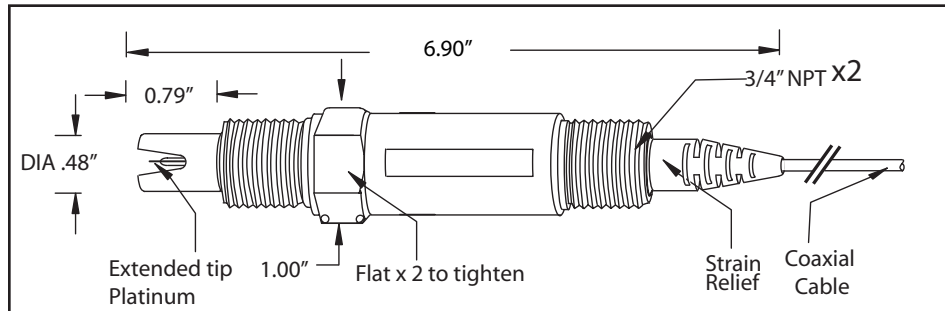
Parts covered by this product data sheet include: S500C-ORP, S500CD-ORP, S222C-ORP, S222CD-ORP, S265C-ORP to S269CD-ORP



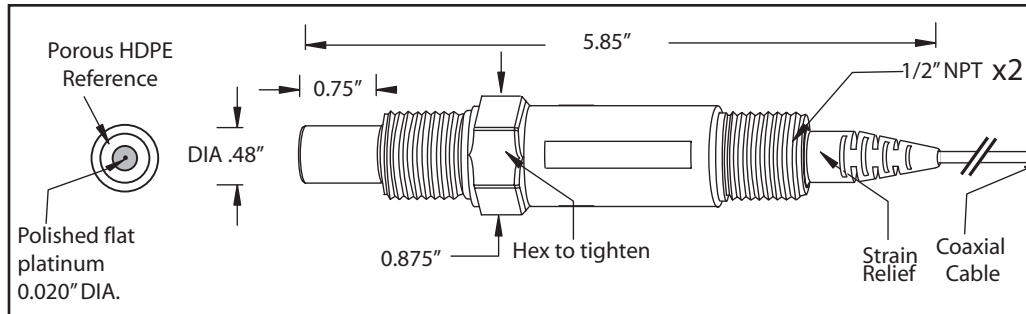
### S265C/CD-ORP



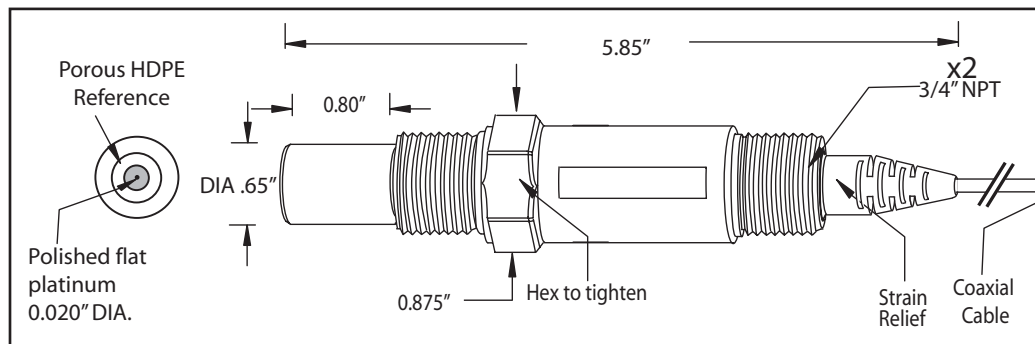
### S267C/CD-ORP



### S268CD-ORP



### S269CD-ORP



11751 Markon Dr.  
Garden Grove, CA 92841 USA

Tel: 714-895-4344  
Fax: 714-894-4839  
E-mail: [info@sensorex.com](mailto:info@sensorex.com)  
[www.sensorex.com](http://www.sensorex.com)

Parts covered by this product data sheet include: S500C-ORP, S500CD-ORP, S222C-ORP, S222CD-ORP, S265C-ORP to S269CD-ORP